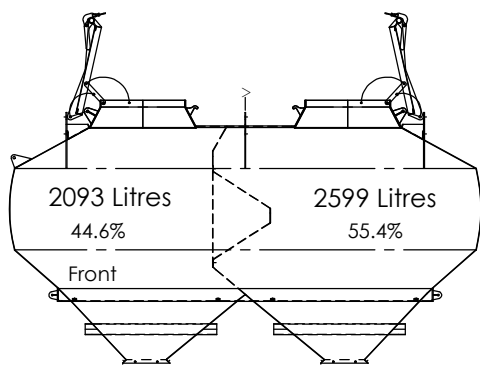
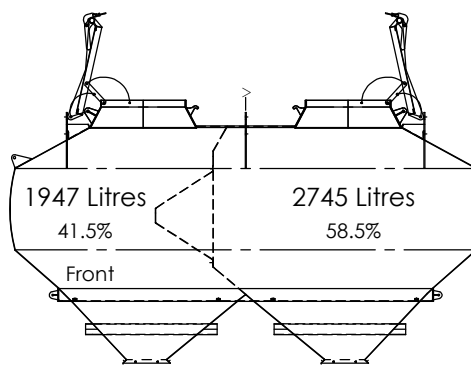


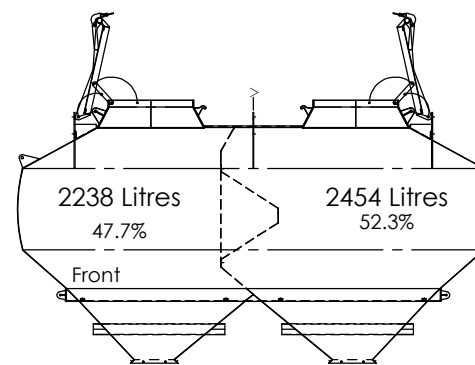
DO NOT SCALE - IF IN DOUBT ASK



Split 1



Split 2



Split 3

## 4500 Double Bin

Total Usable Volume Given  
A Repose angle of 25° is:  
**4692 Litres**

**Fabrication Note**

**Finish:**

**General Tolerances**

Linear Dimensions

X ±1mm (whole numbers)  
X.X ±0.5mm (one decimal place)  
X.XX ±0.25mm (two decimal places)

Angular Dimensions

All Angles ±2°

This drawing is the property of  
Simplicity (Australia) Pty. Ltd.  
It must not be used for any  
purpose other than that for  
which it is supplied.  
Reproduction in whole or  
part is prohibited without  
written authority from  
Simplicity (Australia) Pty. Ltd.

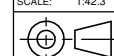
DRN: MT

DATE: 16/06/2008

APPRD: / /

DATE: / /

SCALE: 1:42.3



**SIMPLICITY (AUSTRALIA) PTY LTD**  
18 LOUDOUN RD DALBY 4405 PH (07) 4662 2977 FAX (07) 4660 6050

TITLE  
Simplicity Airseeders  
Bin Assemblies  
4500 Double Bin Splits

DRAWING NUMBER

**4500 Double Bin Splits**

REV

SHEET

1 OF 1

**A4**